

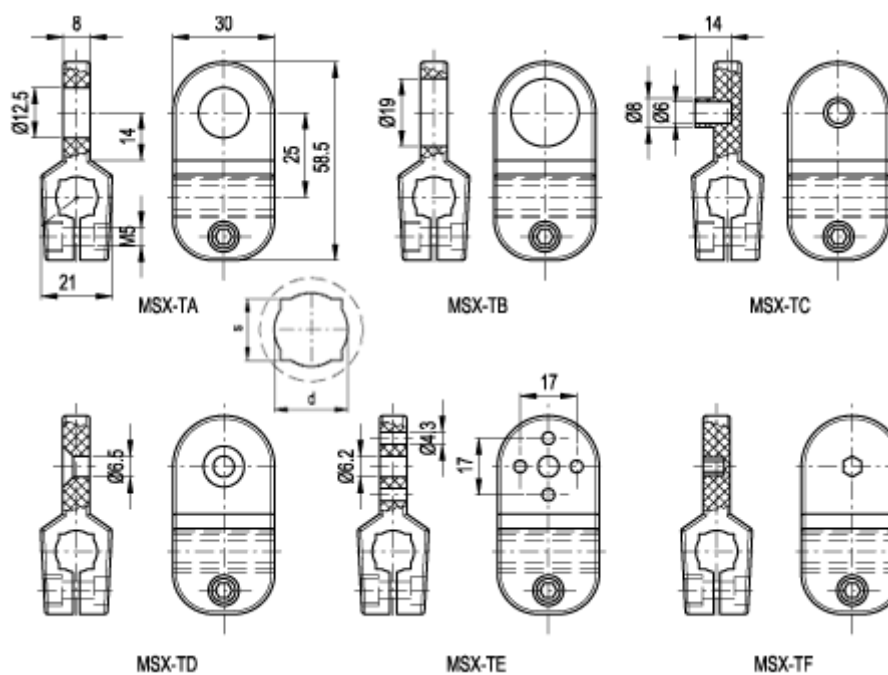
Data Sheet



Article number: 2310440148

Description: E+G MSX Device clamp
MSX.56-TE-10-12

Measures



d	= 12
Rotation resistance	= 4.5
s	= 10
Torque (N m)	= 1000
Type	= MSX.56-TA-10-12